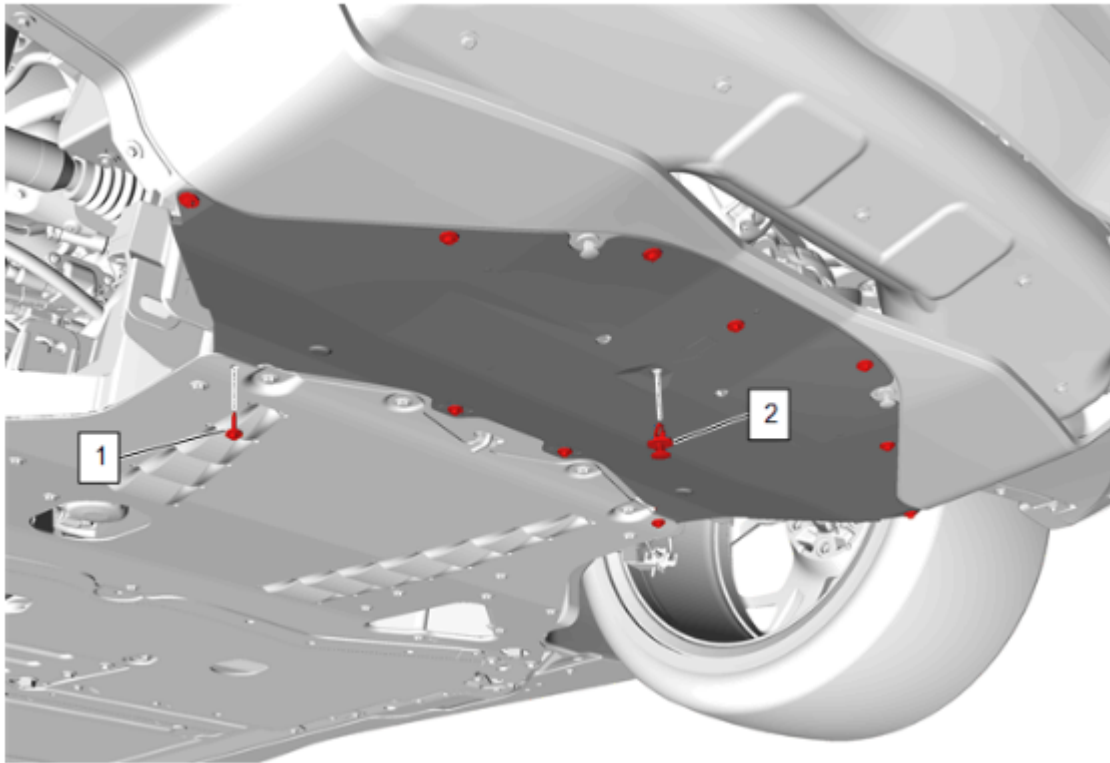


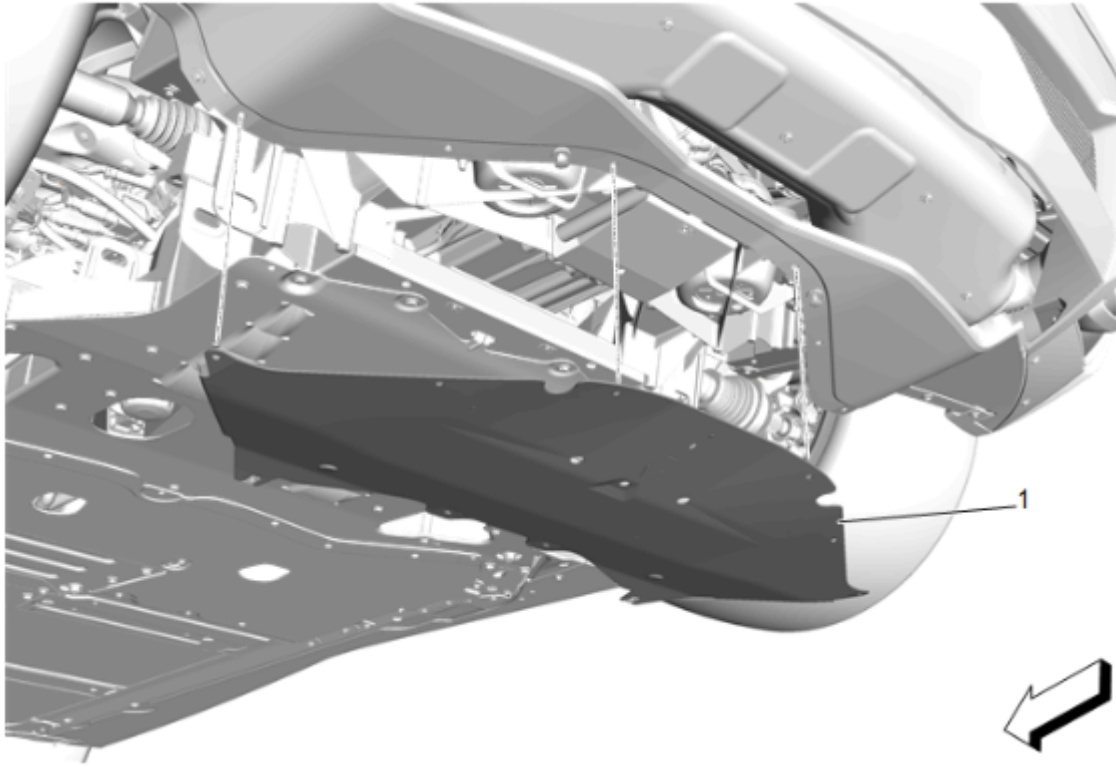
# Underbody Rear Air Rear Deflector Replacement

## Removal Procedure

1. Raise and support the vehicle. [Lifting and Jacking the Vehicle](#)

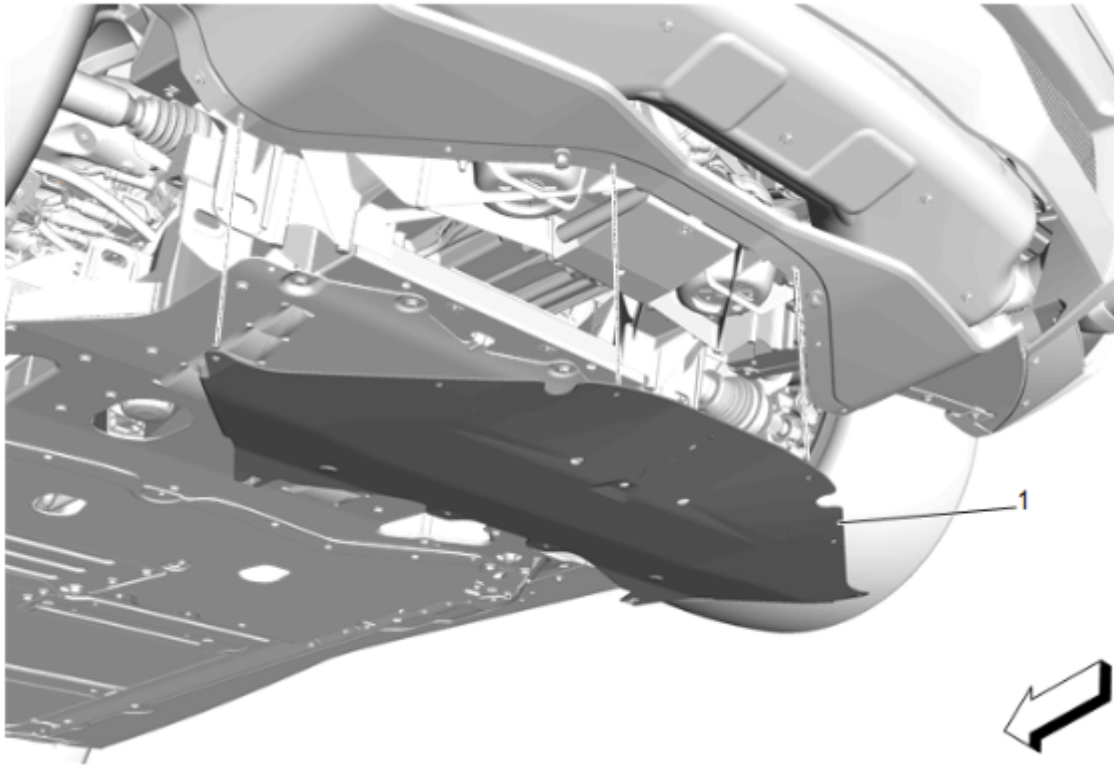


2. Underbody Rear Air Rear Deflector Bolt (1) » Remove [11x]
3. Retainer (2) » Remove

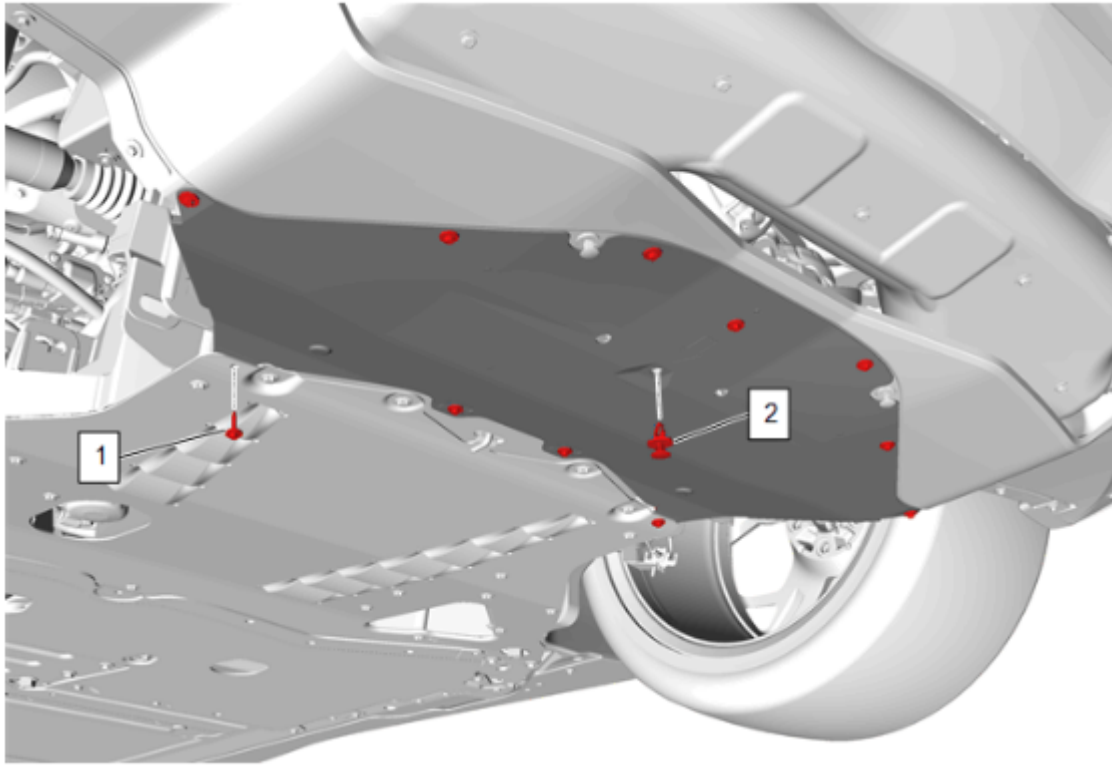


4. Underbody Rear Air Rear Deflector (1) » Remove

**Installation Procedure**



1. Underbody Rear Air Rear Deflector (1) » Install



2. Retainer (2) » Install

**Caution:** Refer to [Fastener Caution](#)

3. Underbody Rear Air Rear Deflector Bolt (1) » Install and tighten [11x] **2.5 (22 lb in)**

4. Lower the vehicle.