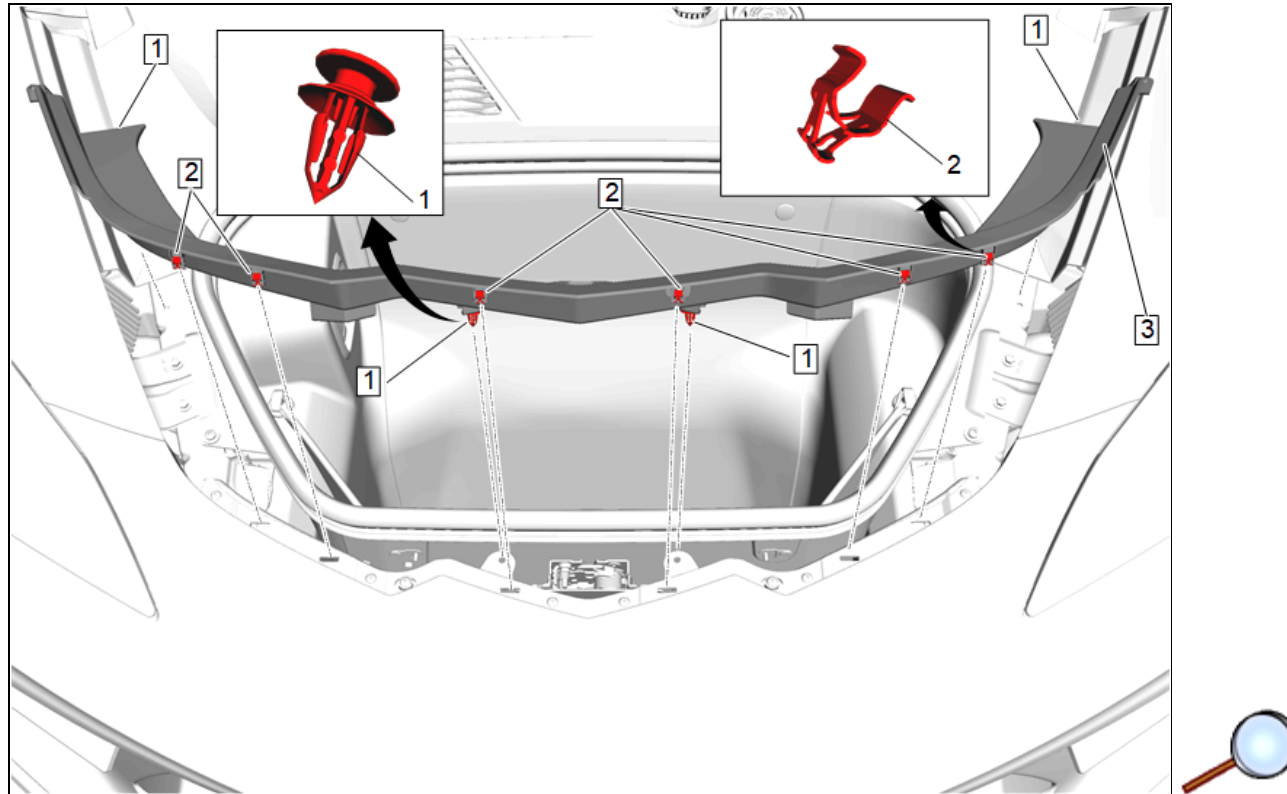
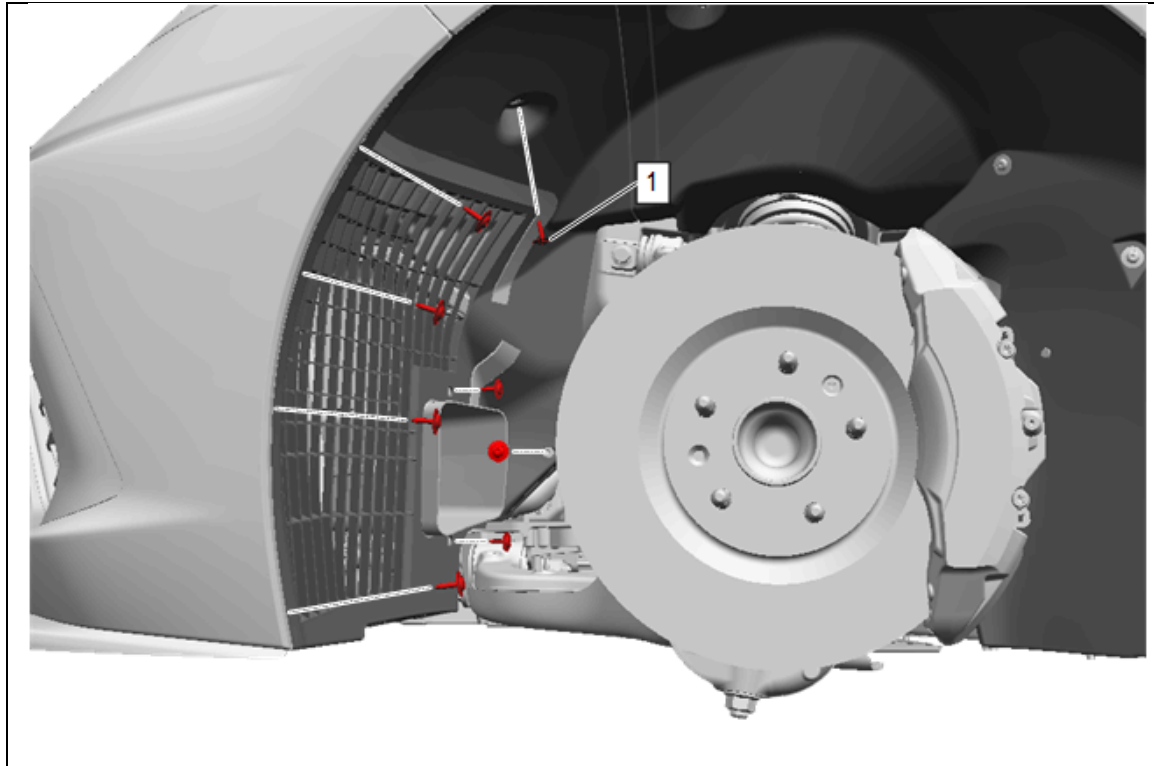


Front Bumper Fascia Removal and Installation

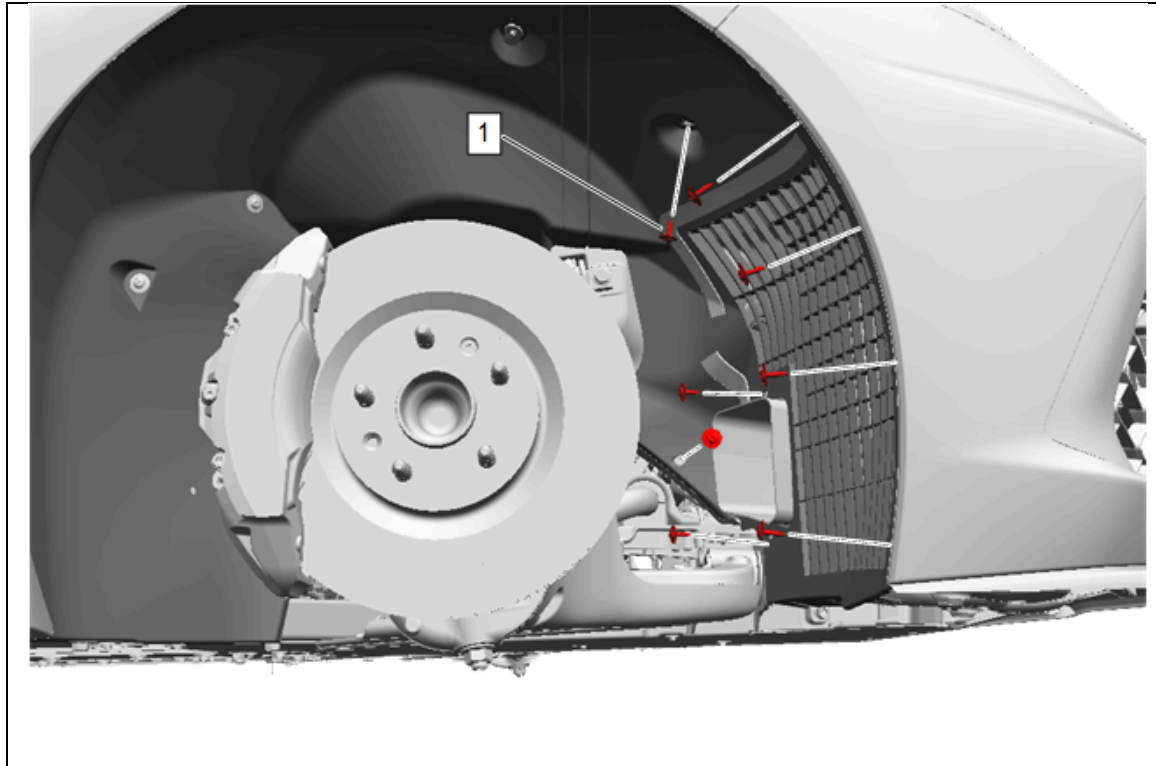
Removal Procedure



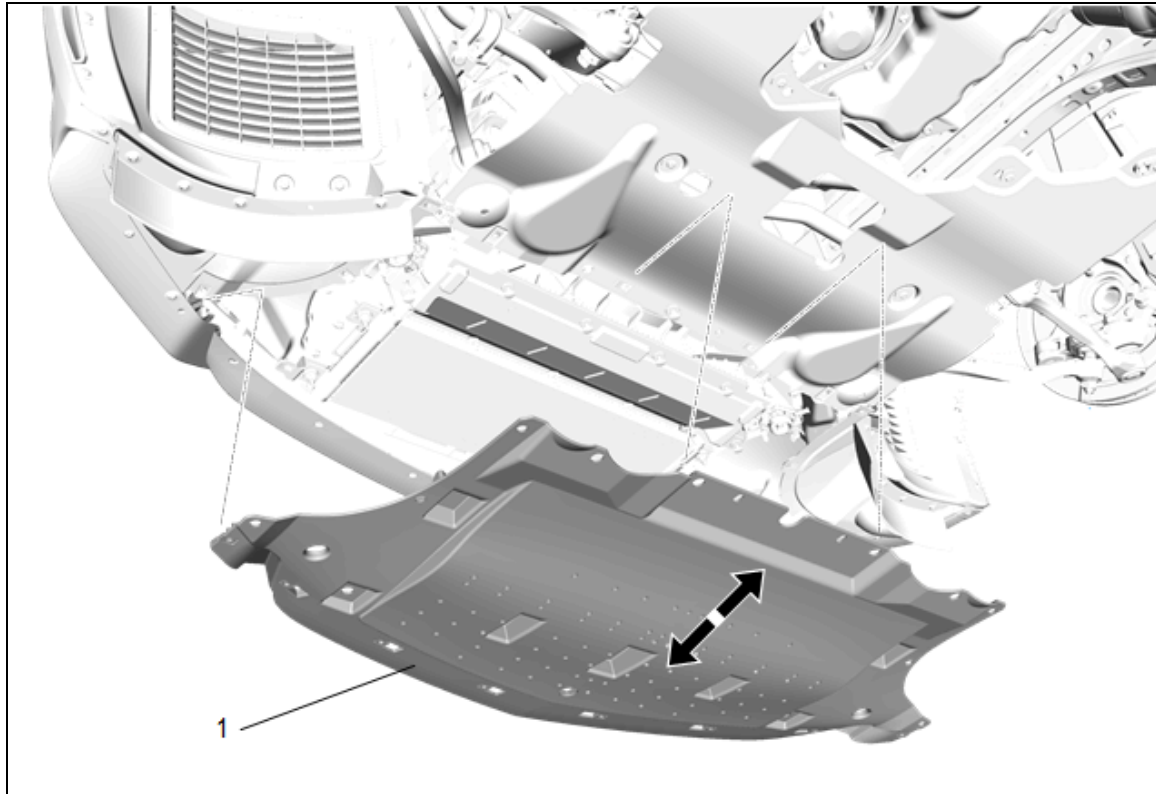
1. Front Compartment Front Sight Shield (2) » Remove — [Front Compartment Front Sight Shield Replacement](#)
2. Front Tire Front Air Deflector » Remove — [Front Tire Front Air Deflector Replacement](#)



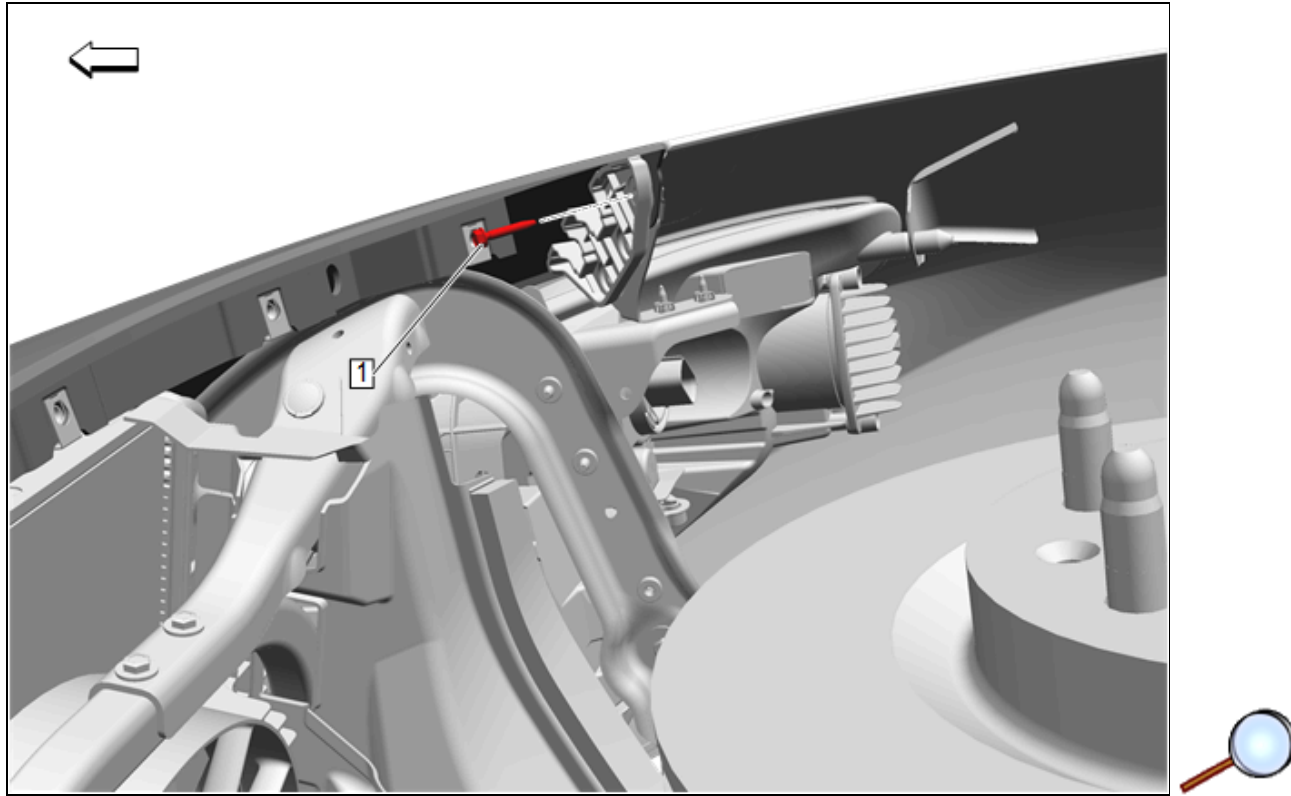
3. Remove the 8 front wheelhouse liner bolts (1) from left side front wheelhouse liner to access the front bumper fascia bolts.



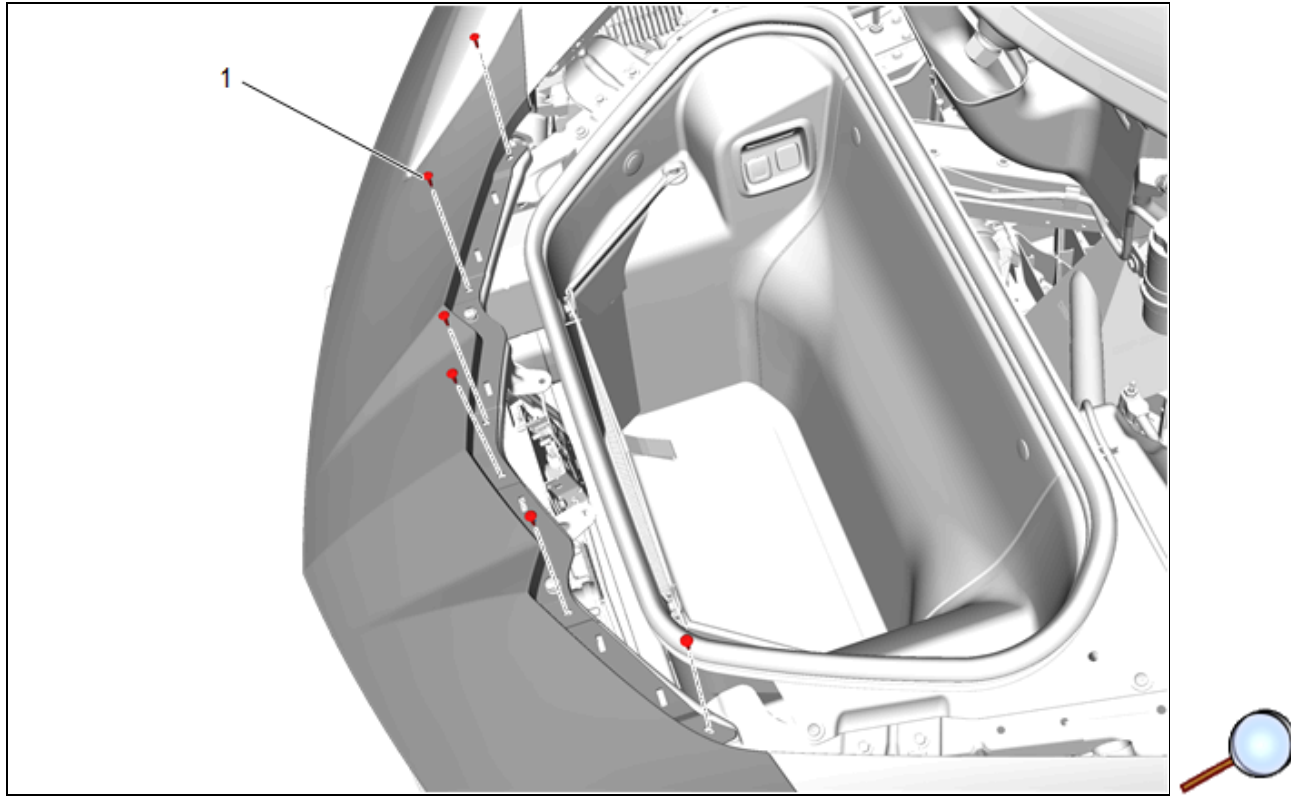
4. Remove the 8 front wheelhouse liner bolts (1) from right side front wheelhouse liner to access the front bumper fascia bolts.



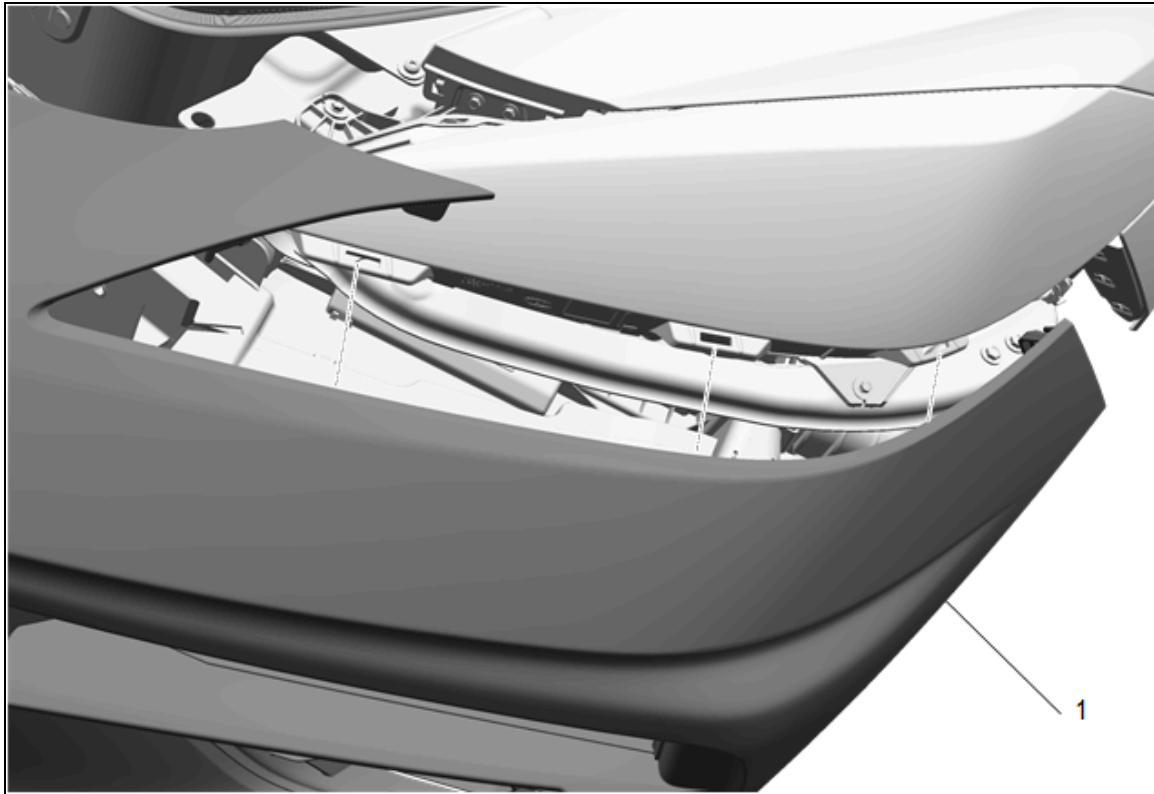
5. Front Bumper Fascia Lower Stiffener (1) » Remove — [Front Bumper Fascia Lower Stiffener Replacement](#)



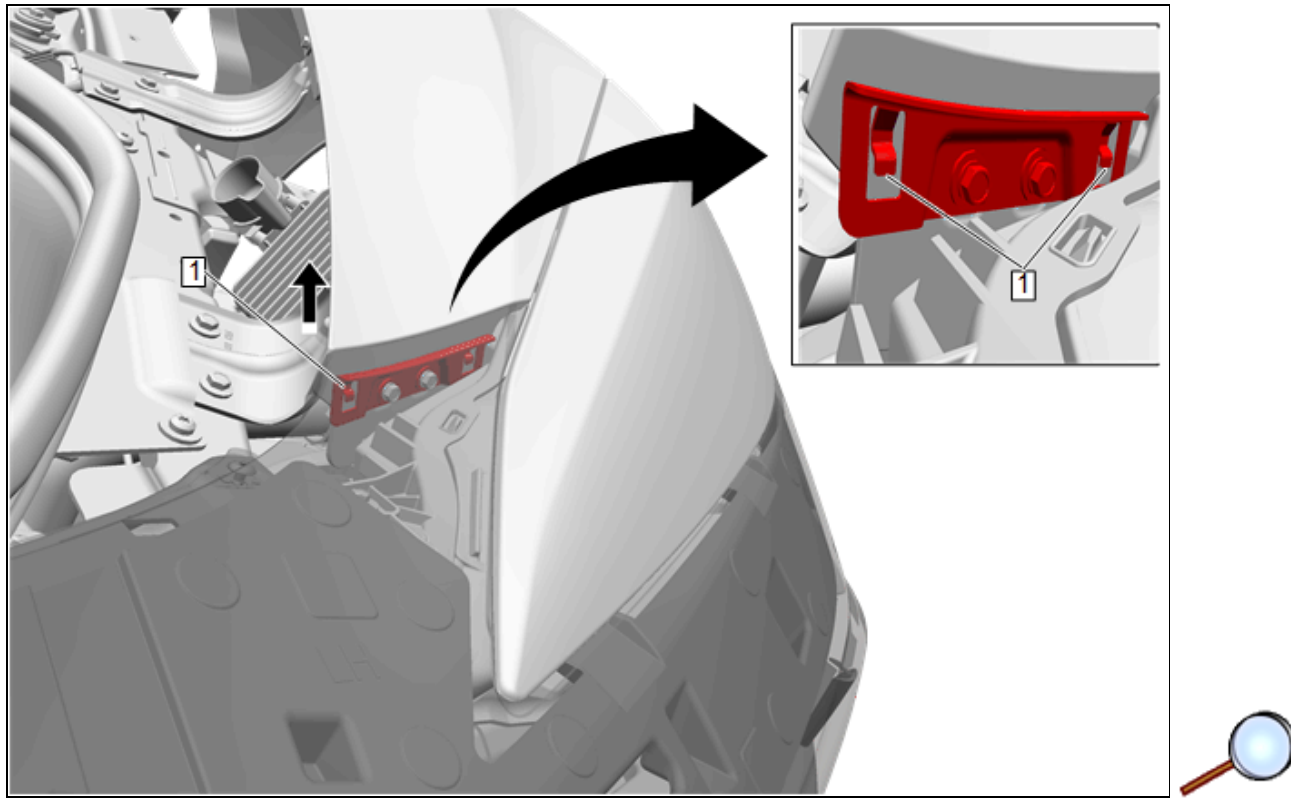
6. Remove the front bumper fascia bolt (1) from the left and right side.



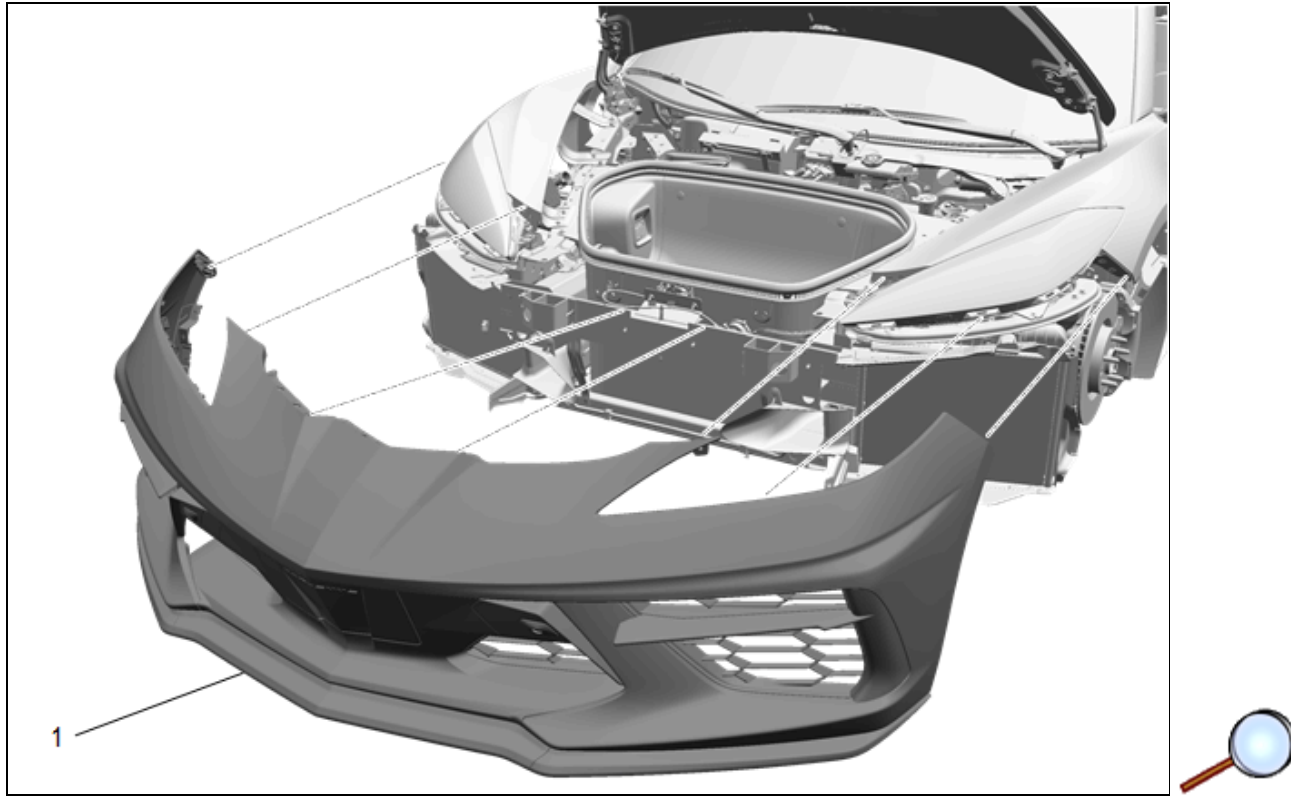
7. Front Bumper Fascia Bolt » Remove [6x]



8. Carefully push a small nylon wedge between the fascia (1) and the fascia guide on both sides. Insert a small flat-bladed tool into the fascia slot and depress the snaps one at a time and pull on the fascia at the same time to gradually remove the fascia.
9. Release the tabs on the fascia (1) from the headlamp on both sides.

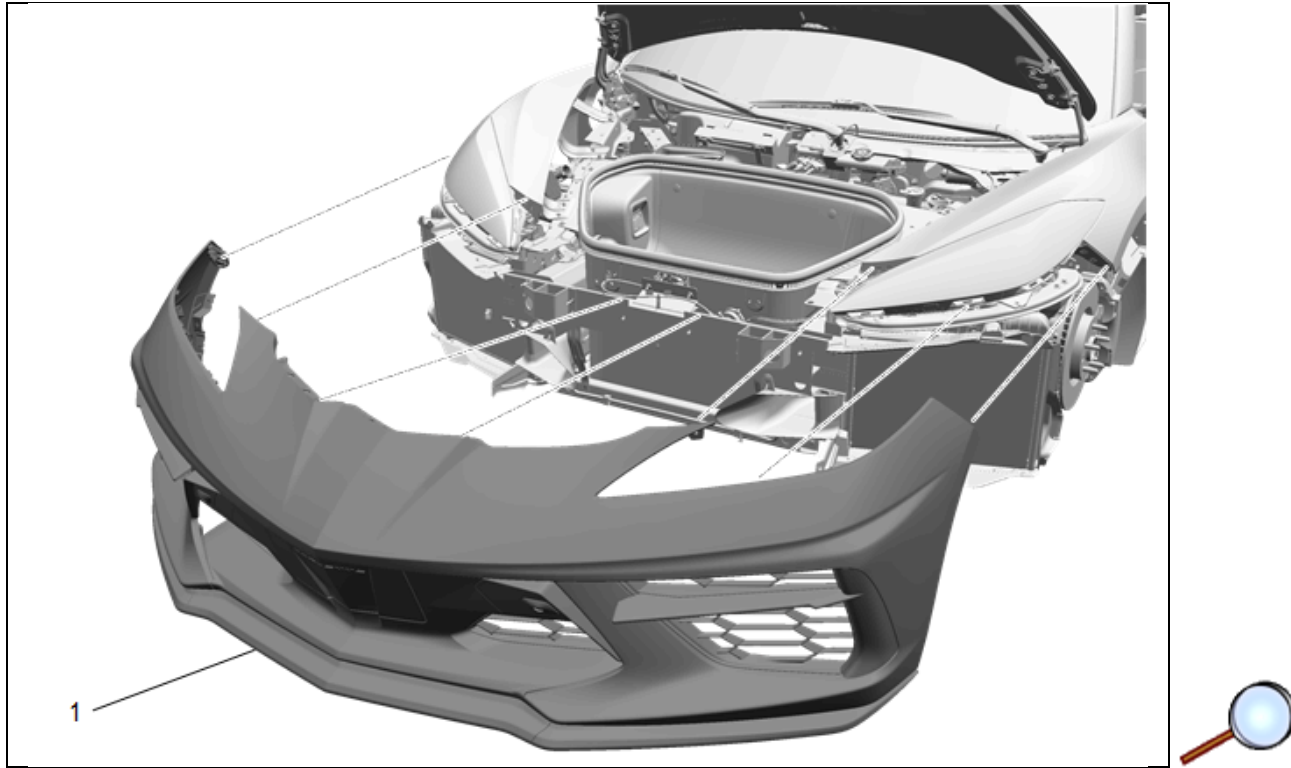


10. Release the 2 front bumper fascia guide inner retainer tabs (1) on the left and right side and pull the front bumper fascia up from the front bumper fascia guide inner.

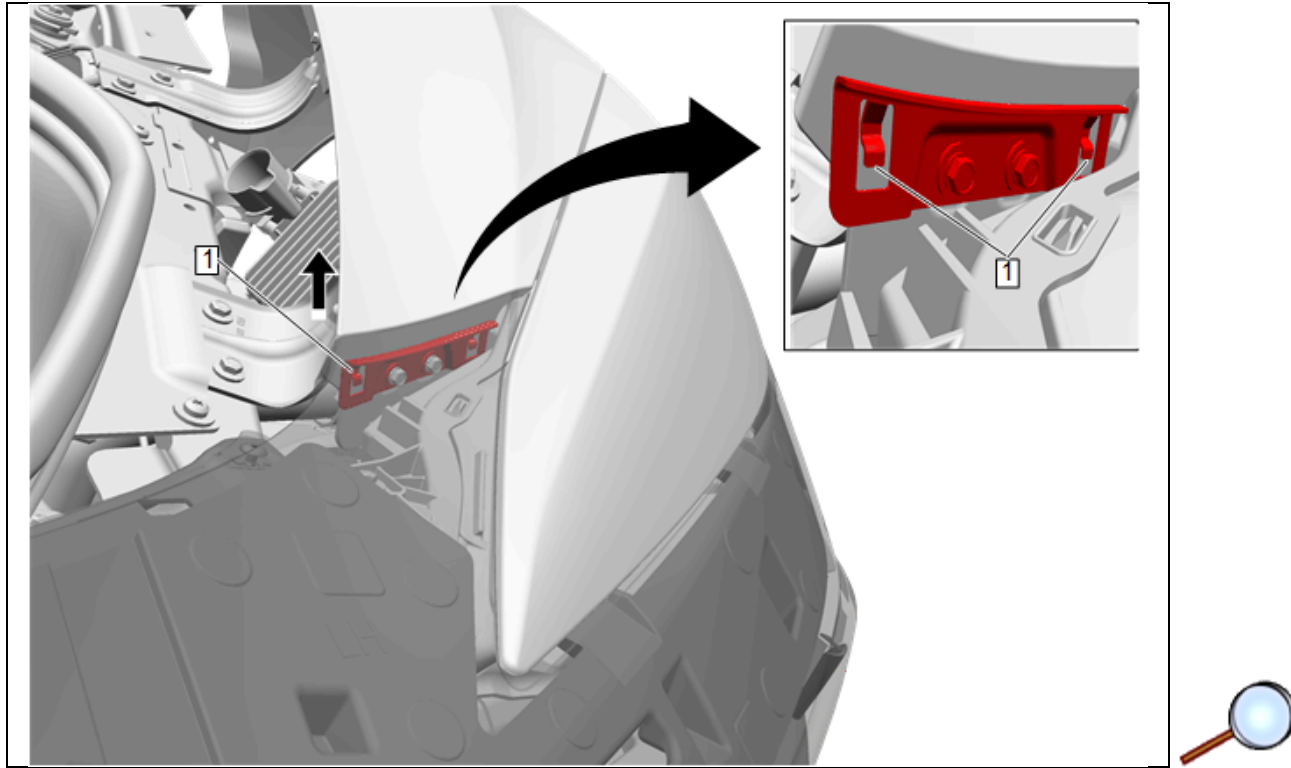


11. With the aid of an assistant, remove the fascia. (1)
12. Disconnect all electrical connectors.

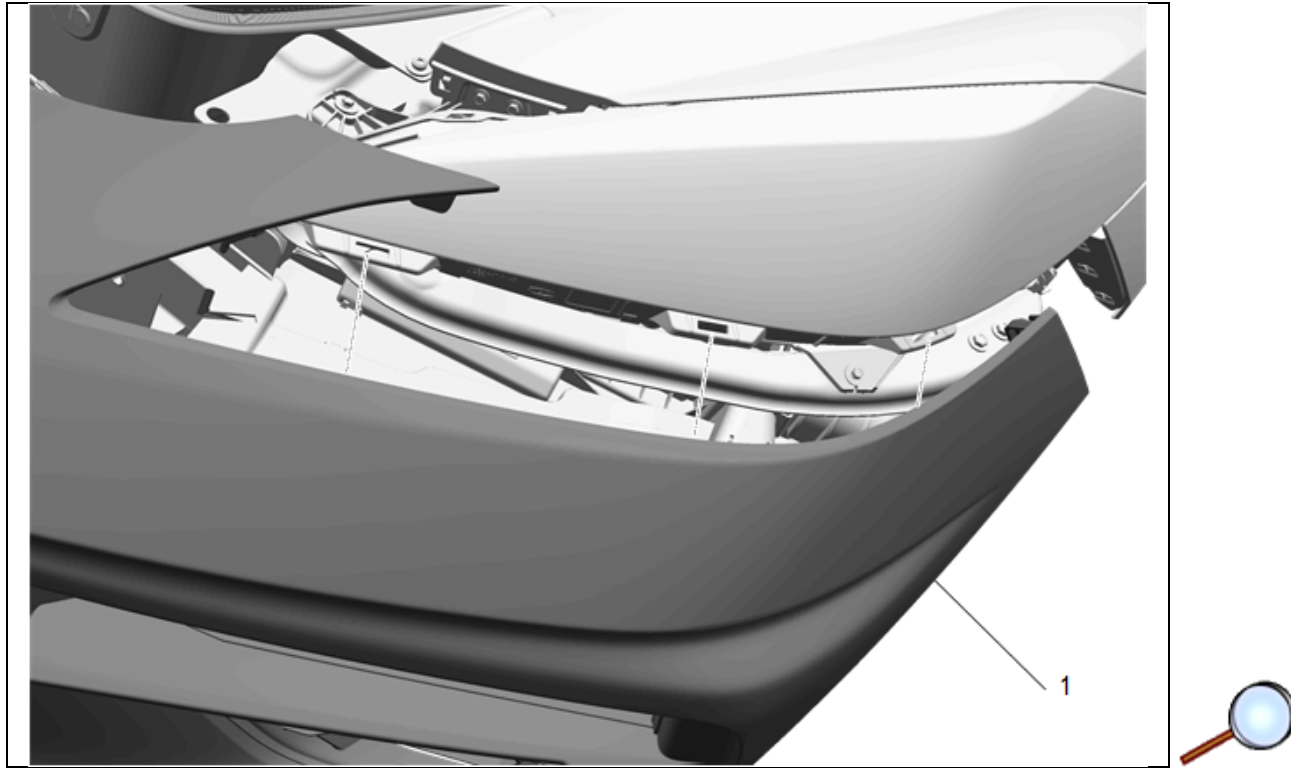
Installation Procedure



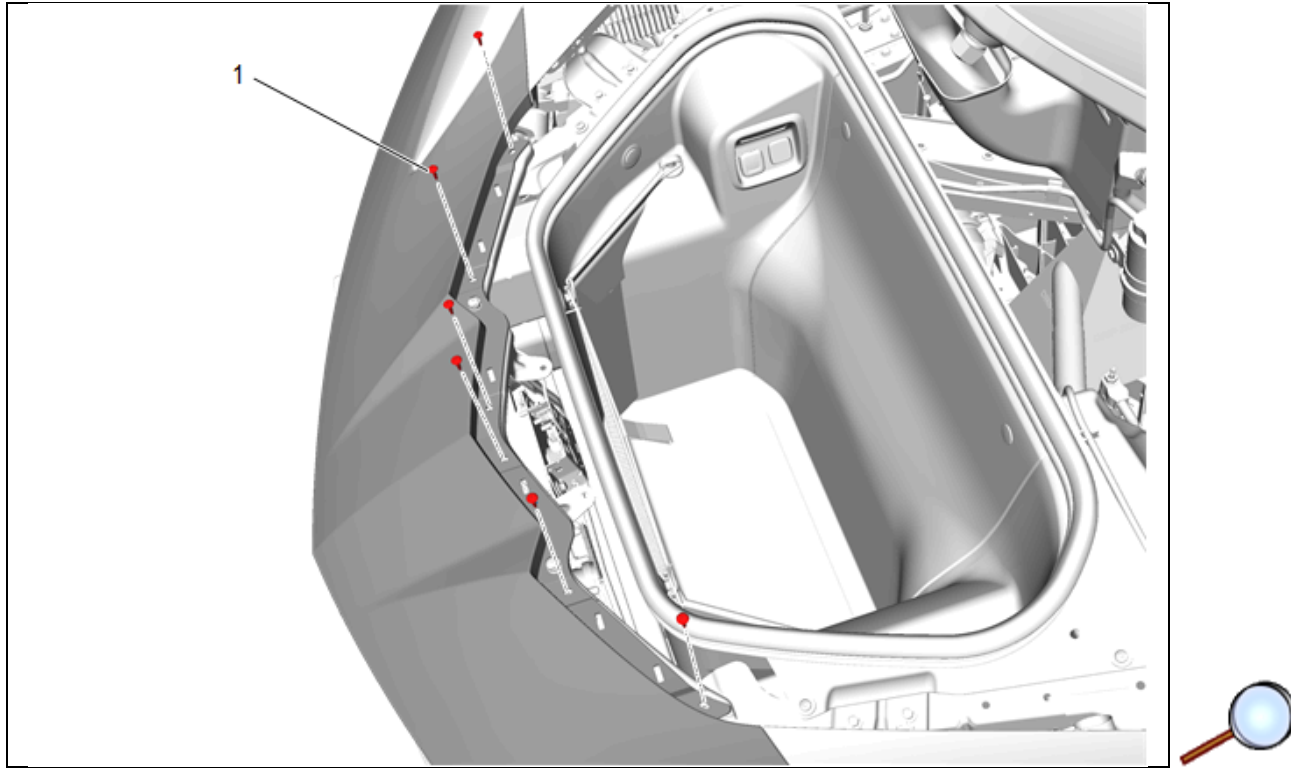
1. With the aid of an assistant, install the front bumper fascia (1).
2. Connect the electrical connectors.



3. Secure the 2 front bumper fascia guide inner retainer tabs (1) on the left and right side to the front bumper fascia.

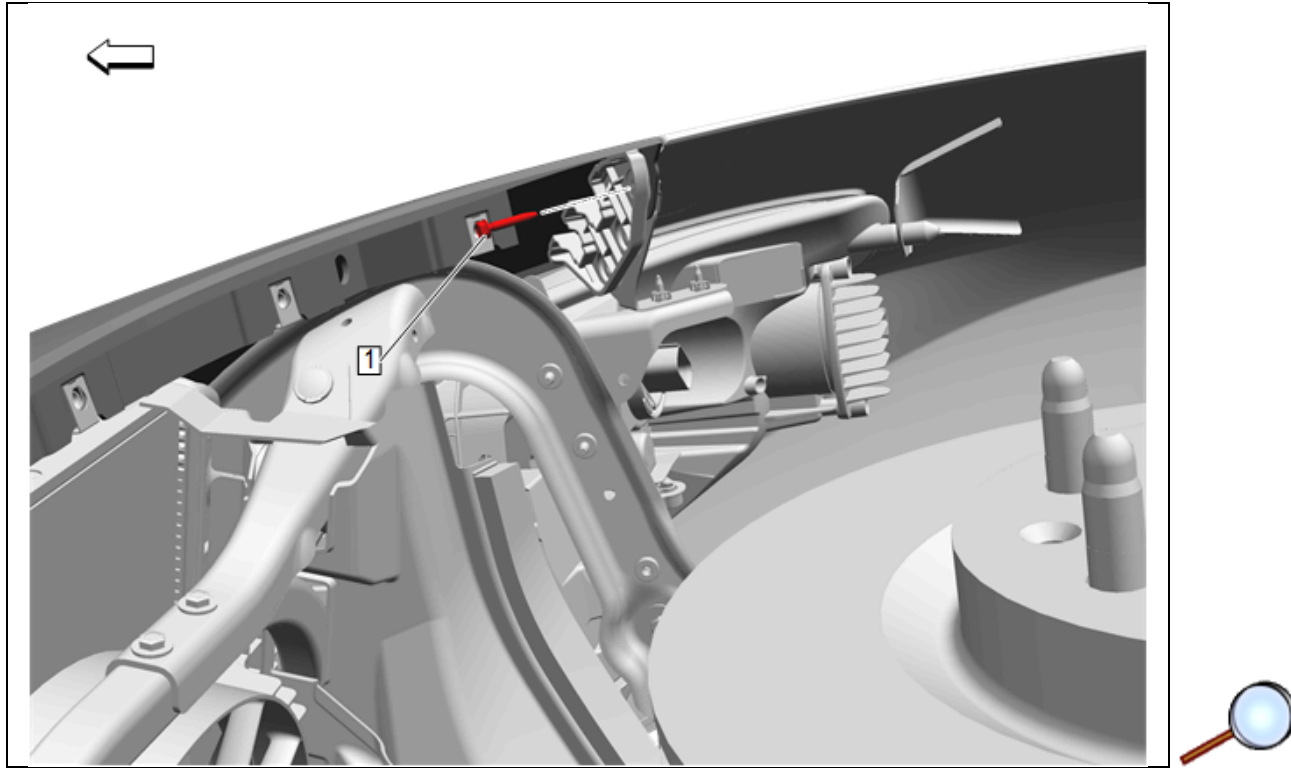


4. Install the front bumper fascia (1) to the headlamp and front bumper fascia guide on both sides.

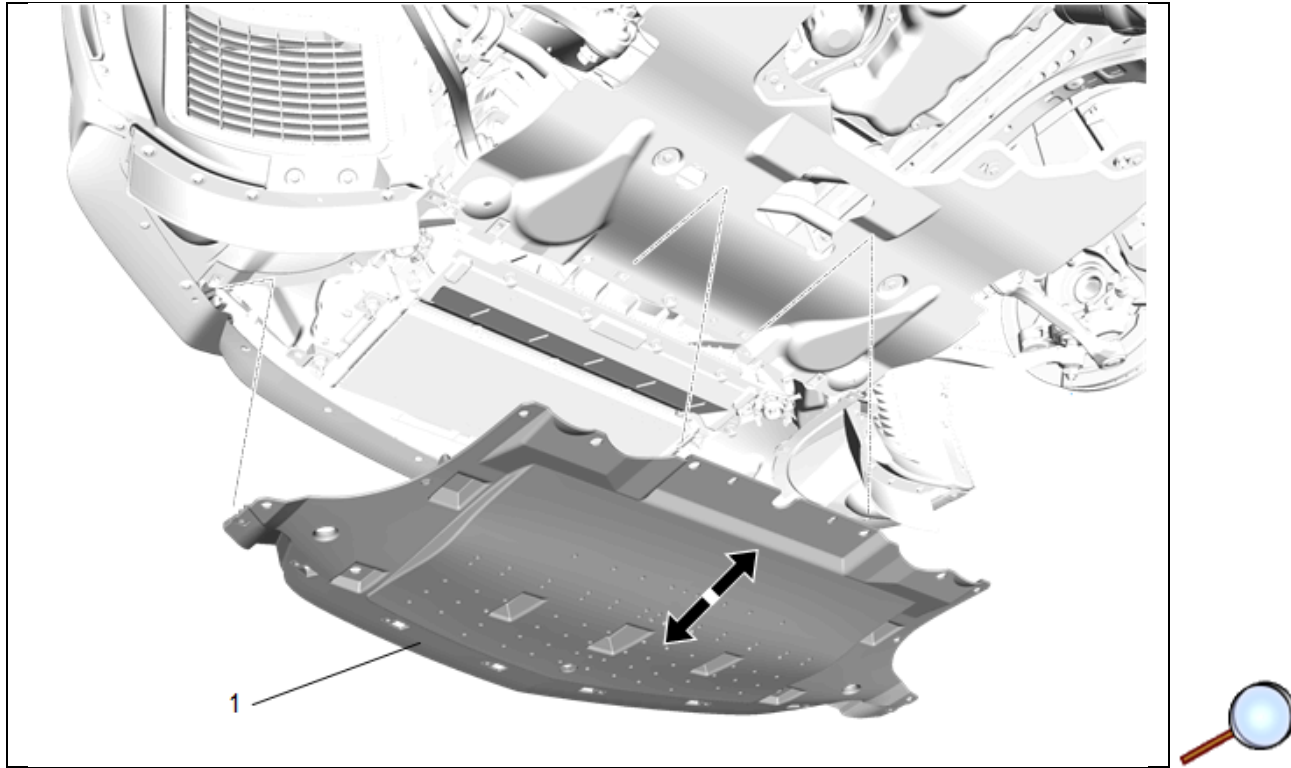


Caution: Refer to [Fastener Caution](#).

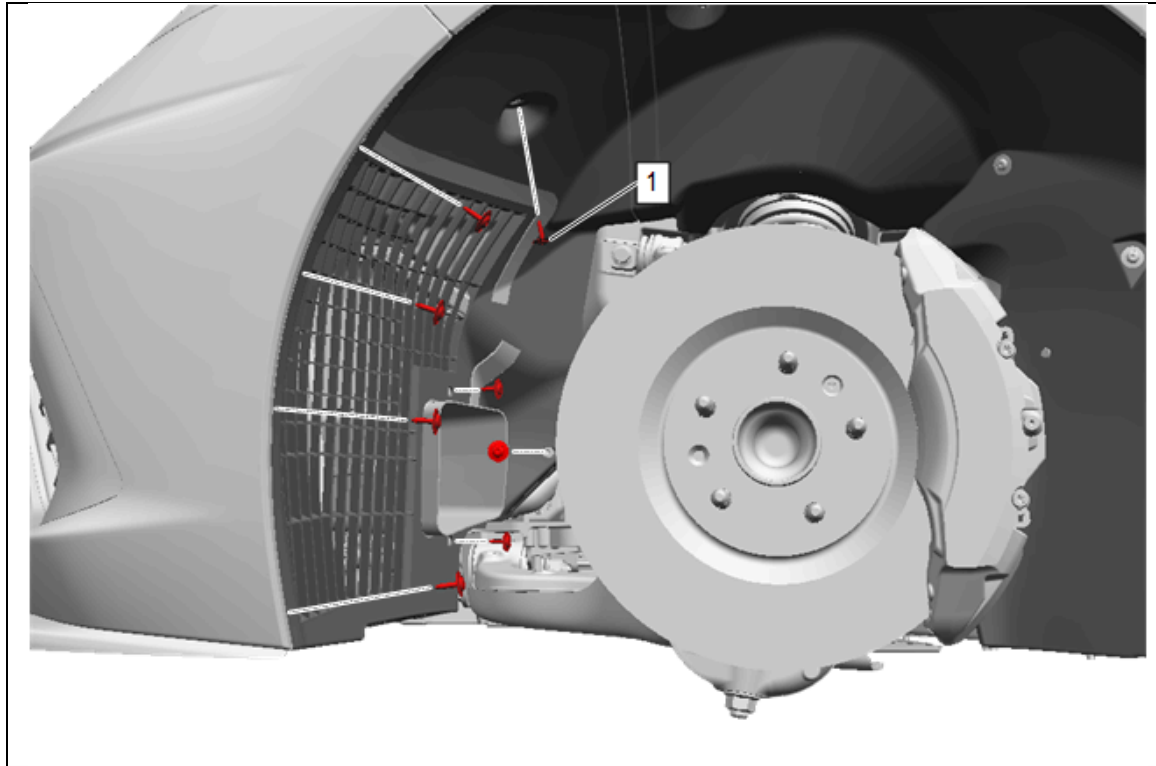
5. Front Bumper Fascia Bolt (1) » Install and tighten [6x] **2.5 N•m (22 lb in)**



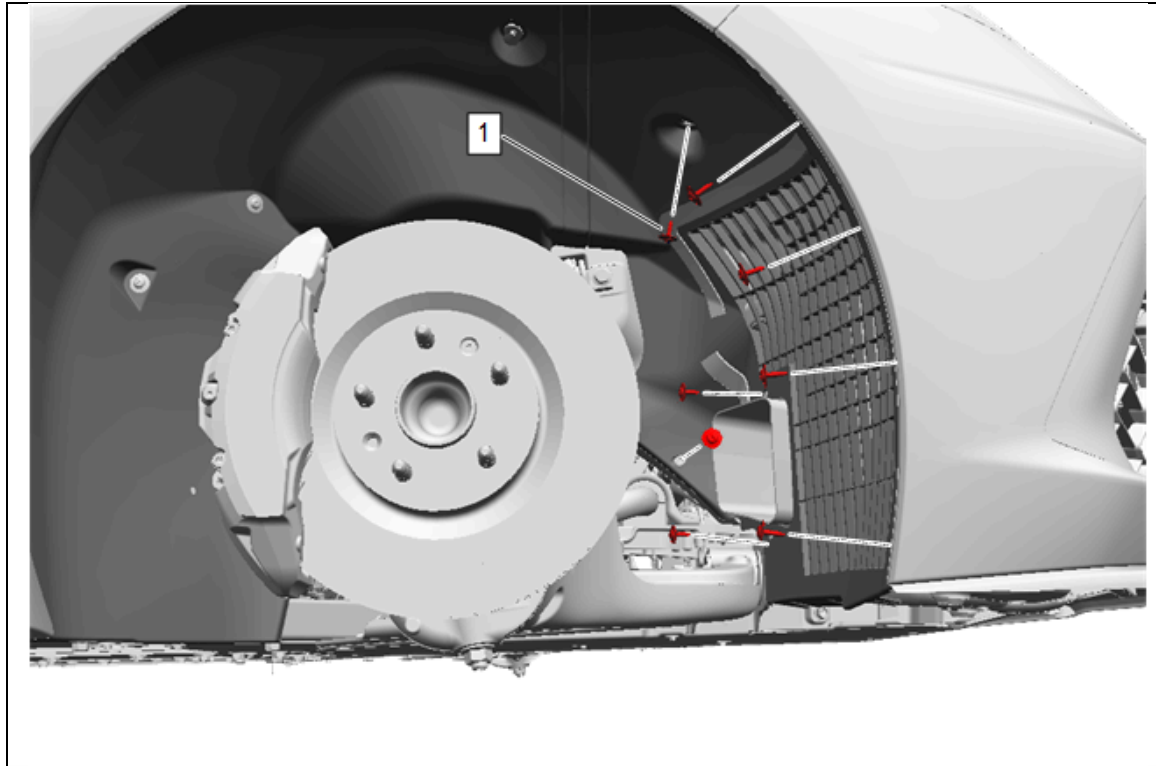
6. Install the front bumper fascia bolt (1) to the left and right side and tighten to **2.5 N•m (22 lb in)** .



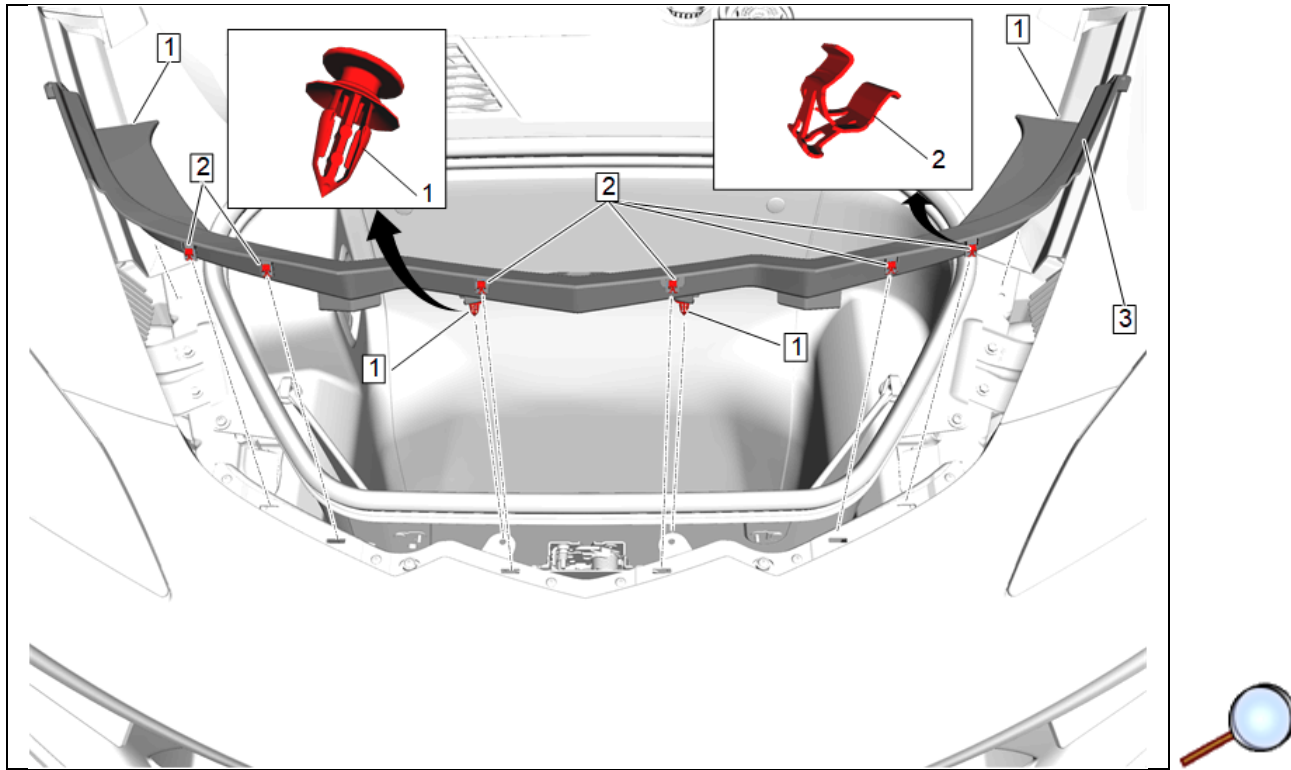
7. Front Bumper Fascia Lower Stiffener (1) » Install — [Front Bumper Fascia Lower Stiffener Replacement](#)



8. Install the 8 front wheelhouse liner bolts (1) to the left side front wheelhouse liner. [Front Wheelhouse Liner Replacement - Left Side](#)



9. Install the 8 front wheelhouse liner bolts (1) to the right side front wheelhouse liner. [Front Wheelhouse Liner Replacement - Right Side](#)
10. Front Tire Front Air Deflector » Install — [Front Tire Front Air Deflector Replacement](#)



11. Front Compartment Front Sight Shield (3) » Install — [Front Compartment Front Sight Shield Replacement](#)